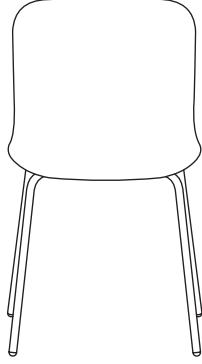


Technical specification

Baltic 2 Basic - seat polypropylene



- max. load 120 kg

Bases

BLK1P1:

- 4 - legged, metal, powder coated
- legs made of tube Ø18 mm
- polypropylene feet

BLK1P13:

- 4 - star, metal, powder coated
- swivel seat - 360°
- legs made of tube Ø22 mm
- polypropylene feet

BLK1P13K:

- 4 - star, metal, powder coated
- swivel seat - 360°
- legs made of tube Ø22 mm
- castors for soft floors
- OPTION WITH EXTRA CHARGE - castors for hard floors

BLK1P22:

- 5 - star, aluminum, Ø=630 mm, h=360 mm, powder coated
- swivel seat - 360°
- gas spring, steel, colour: black, adjustment range 120 mm (450 - 570 mm)
- castors for soft floors
- OPTION WITH EXTRA CHARGE - castors for hard floors

BLK1P19, BLK1PP19:

- 4 - star, aluminum, powder coated
- swivel seat - 360°
- aluminium cast
- legs finished with polypropylene feet

BLK1P19K, BLK1PP19K:

- 4 - star, aluminum, powder coated
- swivel seat - 360°
- aluminium cast
- castors for soft floors
- OPTION WITH EXTRA CHARGE - castors for hard floors

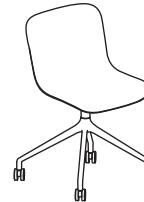
BLK1P14:

- 4 wooden legs, Ø35 mm
- beechwood coated with transparent varnish

BLK1P1

BLK1P19
BLK1PP19

BLK1P13

BLK1P19K
BLK1PP19K

BLK1P13K



BLK1P14

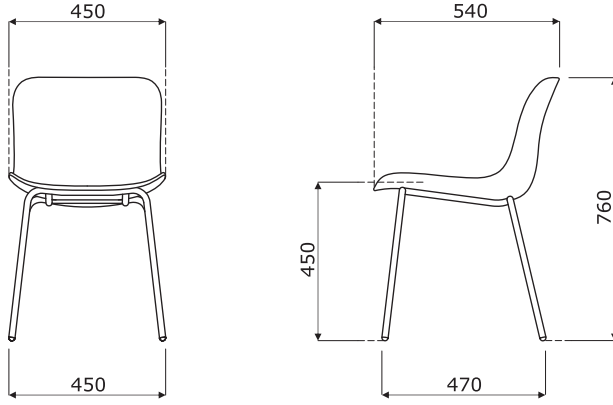


BLK1P22

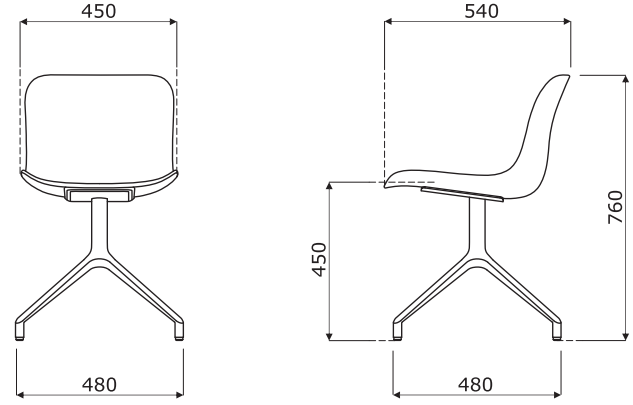


Dimensions (mm)

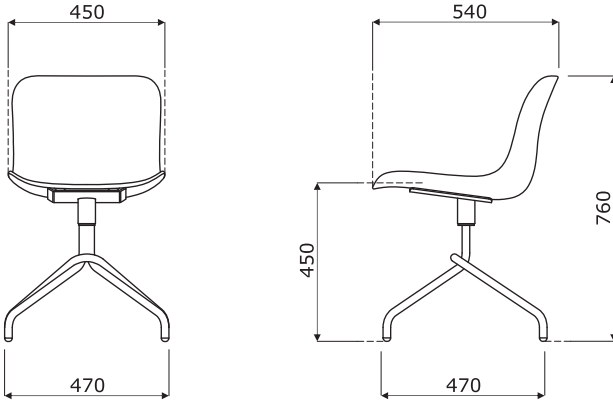
BLK1P1



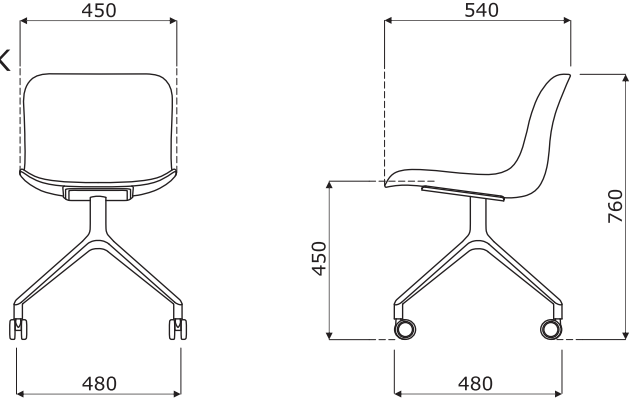
BLK1P19
BLK1PP19



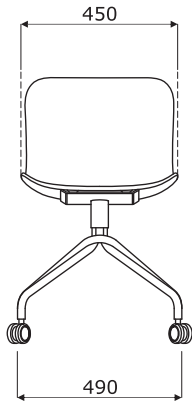
BLK1P13



BLK1P19K
BLK1PP19K



BLK1P13K



BLK1P22

